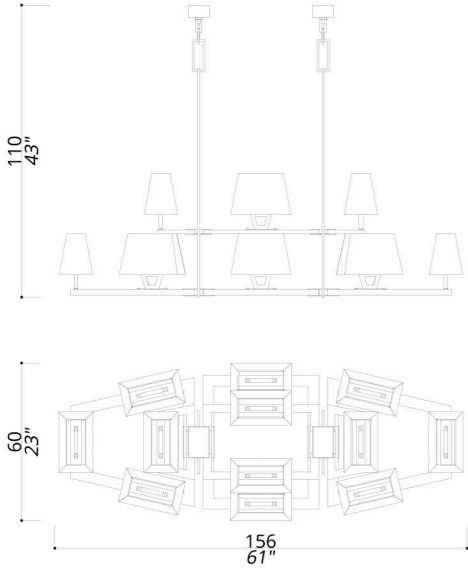
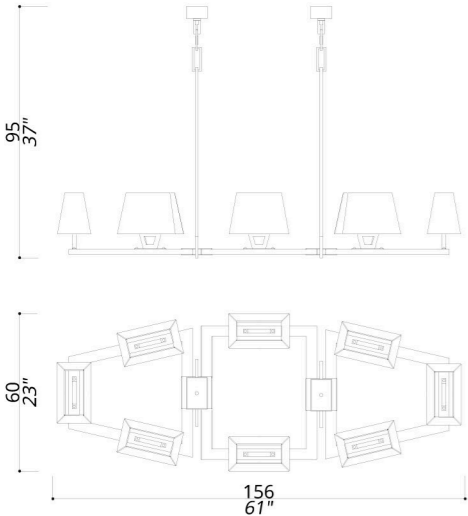
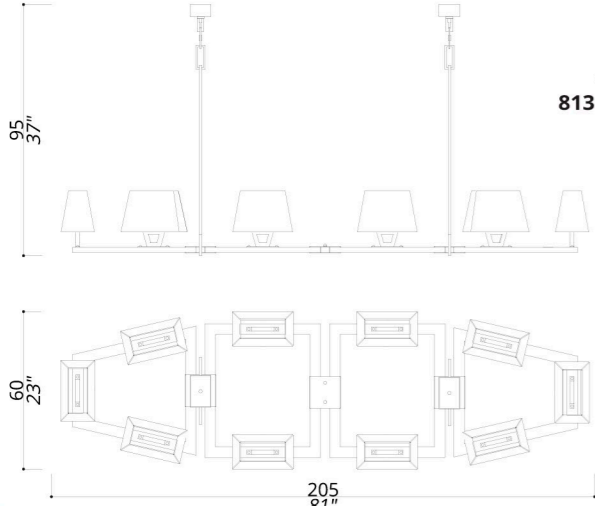
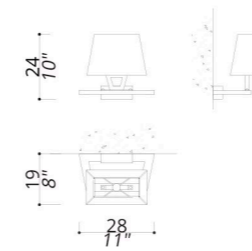


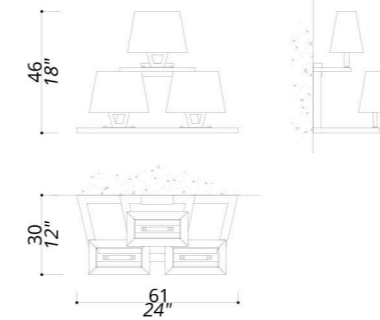
TRAPEZE

	811-NC-04	DOUBLE CHANDELIER	STRUCTURE IN L_57 (WHITE FINISH); DETAILS AND CONNECTION BOX IN F_31 (POLISHED NICKEL FINISH).	12 LIGHTS TYPE E14
	811-BB-24	DOUBLE CHANDELIER	STRUCTURE IN F_13 (BURNISHED BRASS FINISH); CONNECTION BOX AND DETAILS IN F_10 (NATURAL BRASS).	12 LIGHTS TYPE E14
	812-NC-04	CHANDELIER	STRUCTURE IN L_57 (WHITE FINISH); DETAILS AND CONNECTION BOX IN F_31 (POLISHED NICKEL FINISH).	8 LIGHTS TYPE E14
	812-BB-24	CHANDELIER	STRUCTURE IN F_13 (BURNISHED BRASS FINISH); CONNECTION BOX AND DETAILS IN F_10 (NATURAL BRASS).	8 LIGHTS TYPE E14
	813-NC-04	CHANDELIER	STRUCTURE IN L_57 (WHITE FINISH); DETAILS AND CONNECTION BOX IN F_31 (POLISHED NICKEL FINISH).	10 LIGHTS TYPE E14
	813-BB-24	CHANDELIER	STRUCTURE IN F_13 (BURNISHED BRASS FINISH); CONNECTION BOX AND DETAILS IN F_10 (NATURAL BRASS).	10 LIGHTS TYPE E14



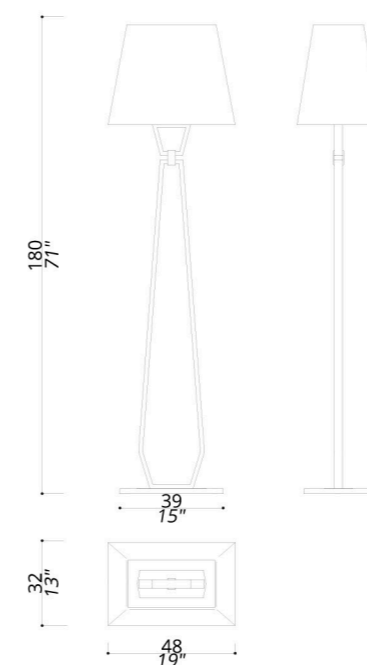
821-NC-04 WALL LAMP STRUCTURE IN L_57 (WHITE FINISH); DETAILS AND CONNECTION BOX IN F_31 (POLISHED NICKEL FINISH). 1 LIGHT
TYPE E14

821-BB-24 WALL LAMP STRUCTURE IN F_13 (BURNISHED BRASS FINISH); CONNECTION BOX AND DETAILS IN F_10 (NATURAL BRASS). 1 LIGHT
TYPE E14



823-NC-04 WALL LAMP STRUCTURE IN L_57 (WHITE FINISH); DETAILS AND CONNECTION BOX IN F_31 (POLISHED NICKEL FINISH). 3 LIGHTS
TYPE E14

823-BB-24 WALL LAMP STRUCTURE IN F_13 (BURNISHED BRASS FINISH); CONNECTION BOX AND DETAILS IN F_10 (NATURAL BRASS). 3 LIGHTS
TYPE E14



841-NC-04 FLOOR LAMP STRUCTURE IN L_57 (WHITE FINISH); DETAILS AND CONNECTION BOX IN F_31 (POLISHED NICKEL FINISH). 1 LIGHT
TYPE E27

841-BB-24 FLOOR LAMP STRUCTURE IN F_13 (BURNISHED BRASS FINISH); CONNECTION BOX AND DETAILS IN F_10 (NATURAL BRASS). 1 LIGHT
TYPE E27